

Technical
Specifications

INUKTUN MAGGHD

OnSite Standard Product



Atlantic Marine &
Oilfield Services Ltd.

SEE QUALITY. EXPERIENCE VALUE.

Eddyfi Technologies' Inuktun MaggHD™ miniature magnetic crawler offers a unique solution for high definition remote visual inspection across a broad range of applications.

Industries & Applications

- Petrochemical
- Oil & Gas (Onshore/Offshore)
- Nuclear
- Marine
- Municipal (Sewer/Water)

"The MaggHD robotic video magnetic crawler is a breakthrough in remote tank inspection. It basically enables faster, better quality and more versatile tank inspections and this enhanced performance in turn delivers long-term cost reductions and great efficiencies to users."

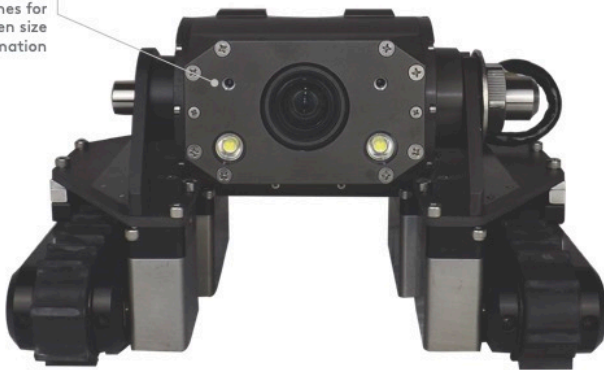
— J. De Silveria, Director, Nexxis

Perfect for examining steel structures

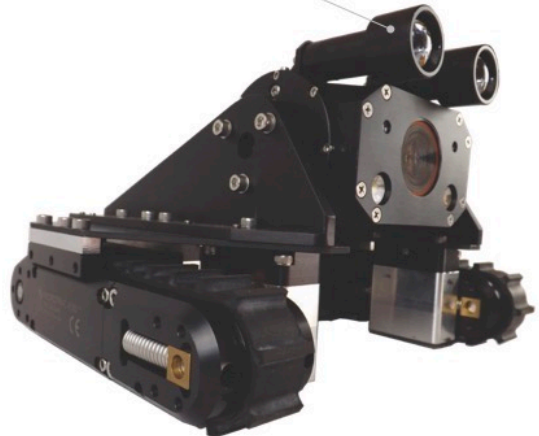
Eddyfi Technologies' Inuktun MaggHD™ miniature magnetic crawler offers a unique solution for high definition remote visual inspection (RVI) across a broad range of applications. This powerful Inuktun Microtrac™ based system includes 100 metres of tether and a portable control system with real time recording of live video, still images and sensor data. Its durable construction and ease of use make it perfect for examining steel structures like wind turbines, storage tanks and ship hulls – even in the splash zone!

When ordered with the optional equipment installed, the camera head offers an internal continuous tilting mechanism with the HD camera module, laser lines and high intensity LED lighting (both spot and flood lamps), all in a rugged waterproof housing. Best of all – it is truly modular. The camera head can be easily removed from the vehicle and attached to a telescoping pole for quick viewing in tanks, pressure vessels, manholes or almost any confined space.

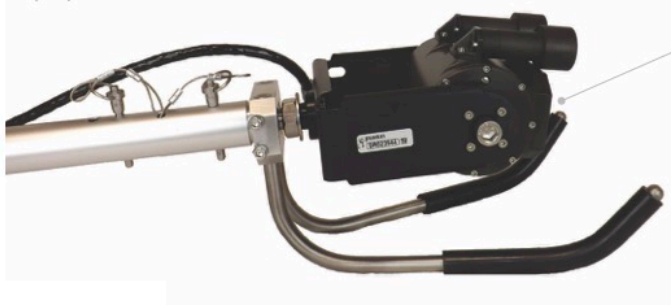
Optional parallel laser lines for onscreen size estimation



Auxiliary high intensity LED lighting



Deployment Pole



Removable camera head easily adapts to pin-lock pole deployment pole for nearby inspections

SPECIFICATIONS

KEY SPECIFICATIONS

Depth Rating	60 m (200 ft)
Maximum Tether Length	100 m (330 ft)
Maximum Speed	3.6 m (11.8 ft) per minute Optional: 9 m (30 ft) per minute with non-high torque Inuktun Microtracs™
Vehicle Payload	Up to 4.5 kg (10 lb)
Front Facing Camera	HD, 10x optical zoom, 12x digital zoom, continuous tilt Optional: 1080p
Operating Temperature	0 °-50 °C (32 °-122 °F)*

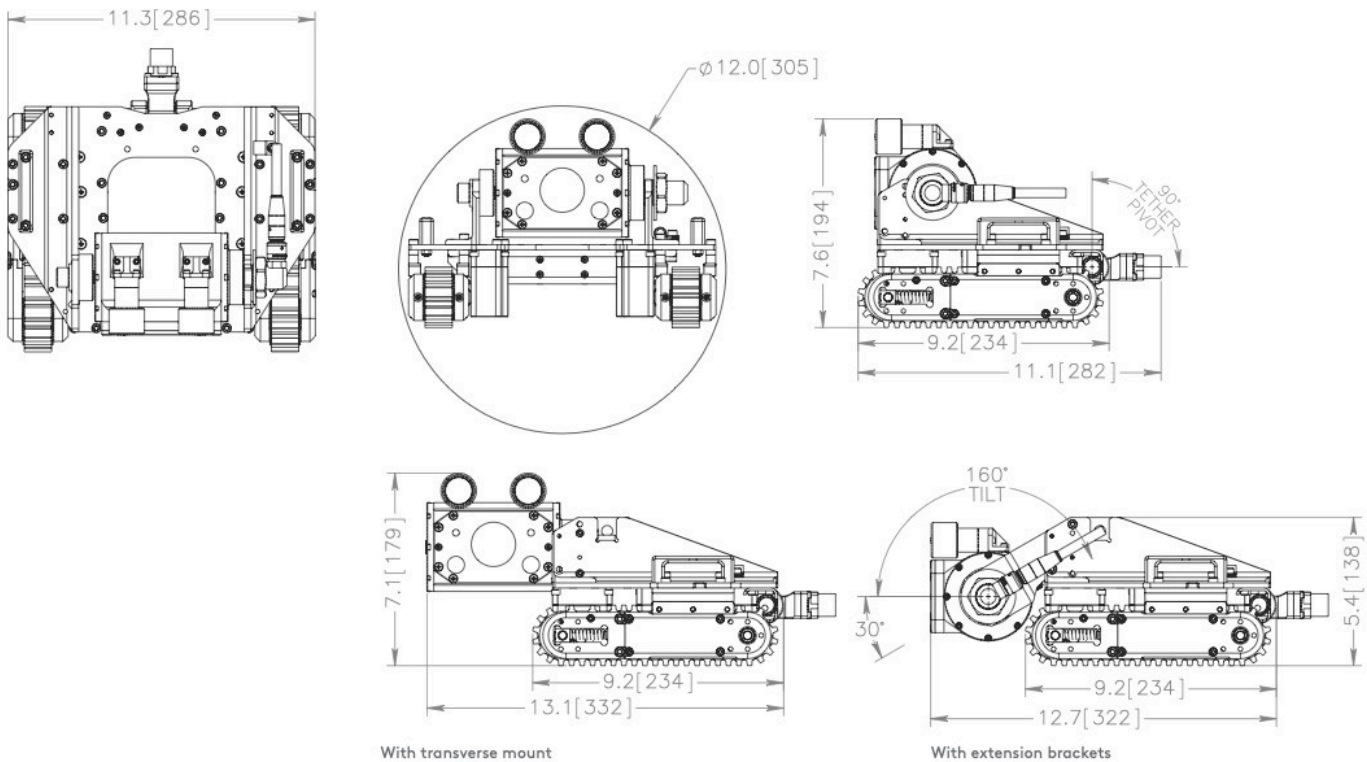
Vehicle Weight	6.2 kg (14 lb)
Minimum Vehicle Dimensions (L x W x H)	282 x 286 x 193 mm (11.1 x 11.3 x 7.6 in)
Standard Components	2 x Inuktun Microtracs™ 1 x HD continuous tilt camera head 100 m (330 ft) tether Laptop PC and interface box PC-based controller and power supply with ICON™ control and reporting software

*Dependent on operating conditions. Ask your sales expert for more information.



Inuktun MaggHD™ Standard Dimensions

Units in inches [mm]



2019-05